

# Adept T1 Pendant

## Software Features

When connected to SmartController-based systems, the T1 Pendant provides the following software functionality.

- Control the robot by enabling and disabling power and jogging the robot.
- Teach locations.
- Display robot position, digital I/O, system status, system identification and error messages.
- Start and stop application programs.
- Display and edit global program variables. See user's documentation for complete functionality.

## Hardware Specifications

Diameter	250 mm
Height	125 mm (includes handle)
Weight	1.29 kg
Cable Length	10m standard (3m upon request)
Display Type	LCD
Size	120 mm x 90 mm
Resolution	320 x 240 pixel
Colors	256
Back light	yes
Safety	1 Emergency Stop switch 2 Enabling switches
Operating Temperature	0 - 50°C
Relative Humidity	5 - 95%
Shock Resistance	15g / 11 ms (IEC 61131)
Ingress Protection	IP64

The Adept T1 Pendant provides a user interface and teach pendant in an ergonomic and rugged package. It was designed for right-handed and left-handed use. All gripping and holding positions enable comfortable and fatigue-free operation.



## Safety First

Emergency Stop switch (dual channel circuit).  
Two 3-position enable switches (dual channel circuits)



## Ergonomic Design

- Enable switches on left and right side
- Multiple holding positions
- Lightweight
- Bright display with backlight and adjustable brightness and contrast

## Rugged Design Holds up on the Factory Floor

The T1 Pendant is designed with a double-walled housing and with special suspension to reduce the impact upon the display. Additionally, the round shape helps cushion the impact when dropped. The T1 Pendant is tested for a 1.5 meter drop onto industrial flooring.

## System Compatibility

The T1 Pendant is compatible with new systems incorporating the Adept SmartController CS and CX. The T1 is also compatible with previously installed SmartControllers with the following part numbers:

- SmartController CS 10000-310
- SmartController CX 20000-310

The part number label can be viewed on the bottom of the controller.

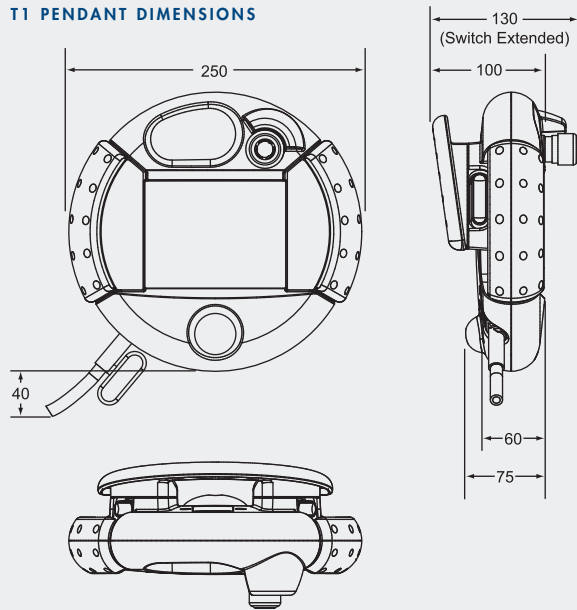
The T1 Pendant is also compatible with the Adept Cobra i600 and i800 robots. When used with these systems, the T1 Pendant has reduced functionality. Call for details.

## The T1 Pendant Kit Includes

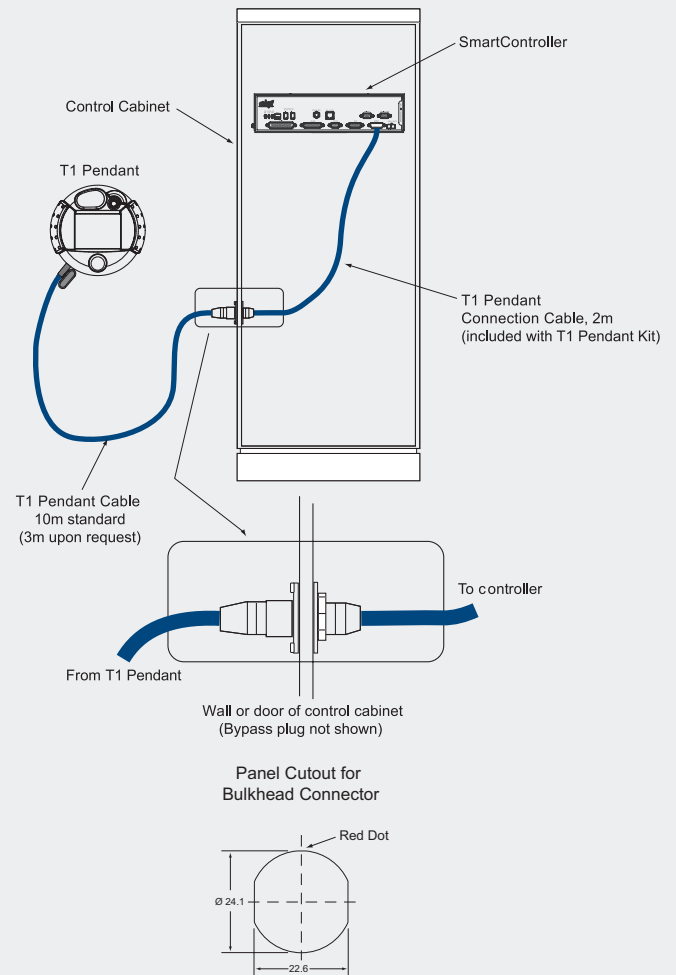
- T1 Pendant with cable attached
- Connection cable with bulkhead connector
- Bypass plug for jumpering E-Stop when pendant is removed
- User Documentation

# Adept T1 Pendant

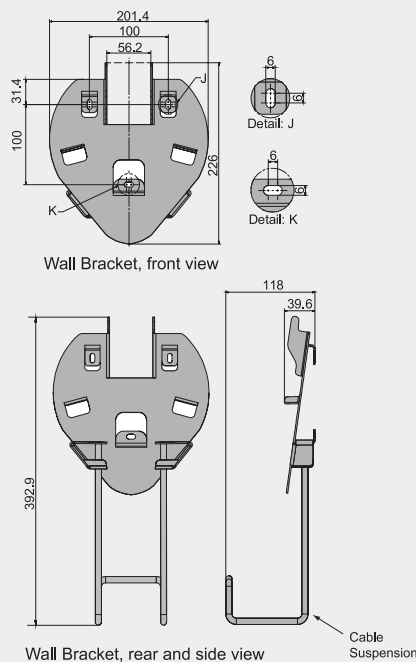
## T1 PENDANT DIMENSIONS



## CONNECTION TO CONTROLLER



## WALL BRACKET DIMENSIONS - OPTIONAL



## Ordering

- T1 Pendant with 10 m cable (04965-010)
- T1 Pendant with 3 m cable is available upon request. Call for details.

## Recommended Options

- Wall bracket with cable hanger (05003-000)

## For More Information

Call (7373) 682-9548 or (800) 226-6385. The T1 Pendant is available by ordering part number 04965-010.



Adept Technology, Inc. 3011 Triad Drive, Livermore, CA 94551  
Tel: 925-245-3400 Fax: 925-960-0452 Email: info@adept.com [www.adept.com](http://www.adept.com)

Specifications subject to change without notice.

©2005 Adept Technology, Inc. All rights reserved. Adept and the Adept logo are registered trademarks of Adept Technology, Inc. All other trademarks are the property of their respective holders. 04965-010 10052500