

Electro-mechanical Assembly Press UFM 30/180/150

Article No.: 374131

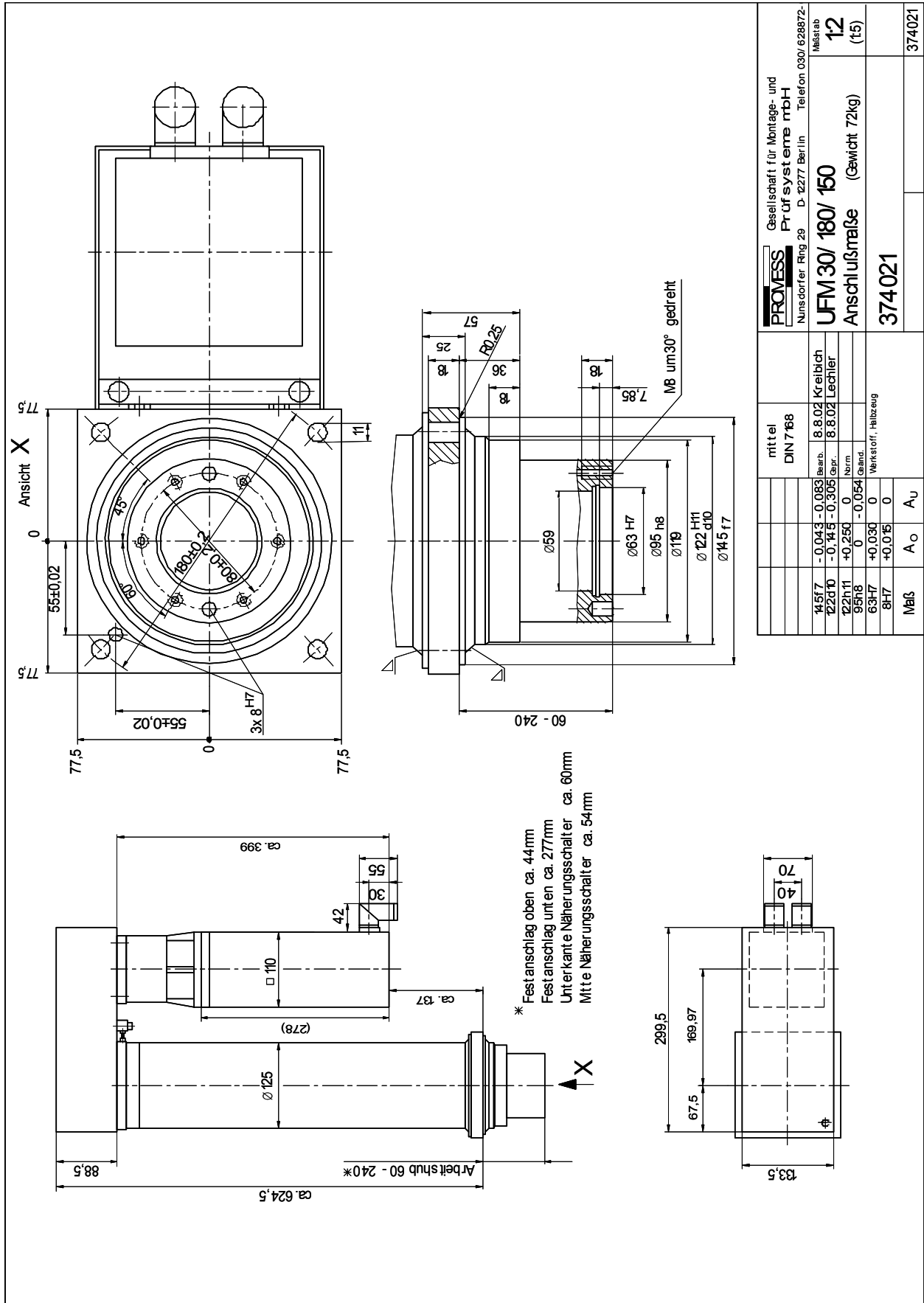


The electro-mechanical assembly presses are designed for heavy duty applications in automatic assembly lines or manual loaded stations. Following components are part of the unit: robust mechanic with AC-servomotor, ball screw or threaded spindle for transfer the rotation into a linear movement, integrated force transducer measuring force directly and control unit.

Main functions	Nominal load	+/- 30 kN
	Stroke	180 mm
	Nominal speed	150 mm/s
	Dwell time of nominal load	min. 4 s
	Weight	72 kg
	Max. tool weight	20 Kg
Force measuring	Integrated strain gauge	
	Characteristic value	1 mV / V
	Transducer accuracy (dismantled)	0,5%
	System accuracy	< 1,5%
	Resolution	12 Bit
	Smallest measuring step	8,05 N
	Amplifier / W*H*D	Al-diecast housing / 150*64*36 mm
	Output signal	+/- 10 VDC
	Protection class	IP 54
Distance measuring	Resolver	
	Resolution	0,3 µm
	Measuring frequency	1 kHz
	Repeatability of positioning	< 0,01 mm
Drive	All-digital pulse-inverter with steady intermediate voltage	
	Type / W*H*D	SP1406 / (100*386*219 mm)
	Nominal unit capacity	4,0 kW
	Mains voltage	3 AC 380 V - 480 V, +/-10 %, 48-65 Hz
	Cable cross sectional – area Input / Output	2,5 / 1,5 mm ²
	Protection class	IP 20
	Weight	5,8 kG
	Recommended protection	IEC gG / 16 A
	Temperature range	- 10 ... + 50 °C
	Thermal power loss	158 W
Additional Inputs	1x Analog / 1x Incremental	11 Bit / Encoder (max. 410 kHz)
Interface PC		Ethernet / RS 485
PLC Interface (24 VDC)	Standard (Optional Link module)	3 I / 4 O (12 I / 12 O)
PLC fieldbus interface	Optional	Profibus, CANOpen, Interbus, DeviceNet

Electro-mechanical Assembly Press UFM 30/180/150

Article No.: 374131



Angaben sind aktuelle Werte zum Druckdatum. Bevor Sie aufgeführte Informationen zur Grundlage eigener Berechnungen und / oder Verwendung machen, informieren Sie sich bitte, ob Sie den aktuellen Stand der Informationen besitzen. Eine Haftung für die Richtigkeit der Informationen wird nicht übernommen. Mrz-07

PROMESS Gesellschaft für Montage- und Prüfsysteme mbH

Nunsdorfer Ring 29
 12277 Berlin
 Tel.: +49/30/62 88 72 0

Fax: +49/30/62 88 72 59
 e-mail: promess@promessmontage.de
 web: www.promessmontage.de